



LogiLink®

Compact Sit-Stand Desk Frame with Foldable Handle

Art. No.: EO0028



Height and width adjustment to create an ergonomic workstation in a variety of large or small spaces. Work comfortably throughout the long working day.

RoHS
compliant

*The specifications and pictures are subject to change without prior notice.
*All trade names referenced are the registered trademarks of their respective owners.



EO0028



Made in China

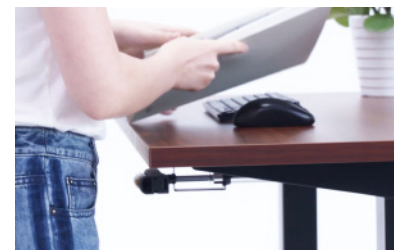


Best Connectivity



Precision-Crafted Design

Sturdy construction; assembly is quick and easy.



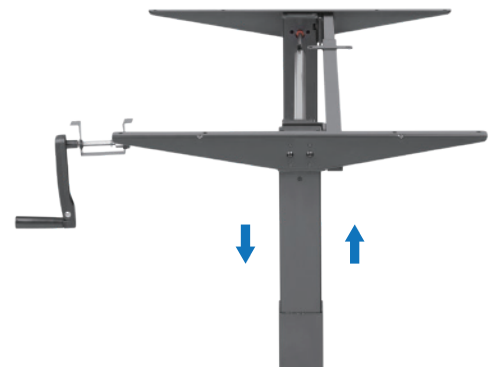
Foldable Handle

Hidden safely out of the way when not in use.



Manual Width Adjustment

Increase or decrease width easily from 840~1300mm to fit a variety of small rooms or workspaces.



Manual Height Adjustment

Effortlessly adjust from 730~1230mm.



*The specifications and pictures are subject to change without prior notice.
*All trade names referenced are the registered trademarks of their respective owners.



EO0028



Made in China

LogiLink®

Compact Sit-Stand Desk Frame with Foldable Handle

Art. No.: EO0028



Specification:

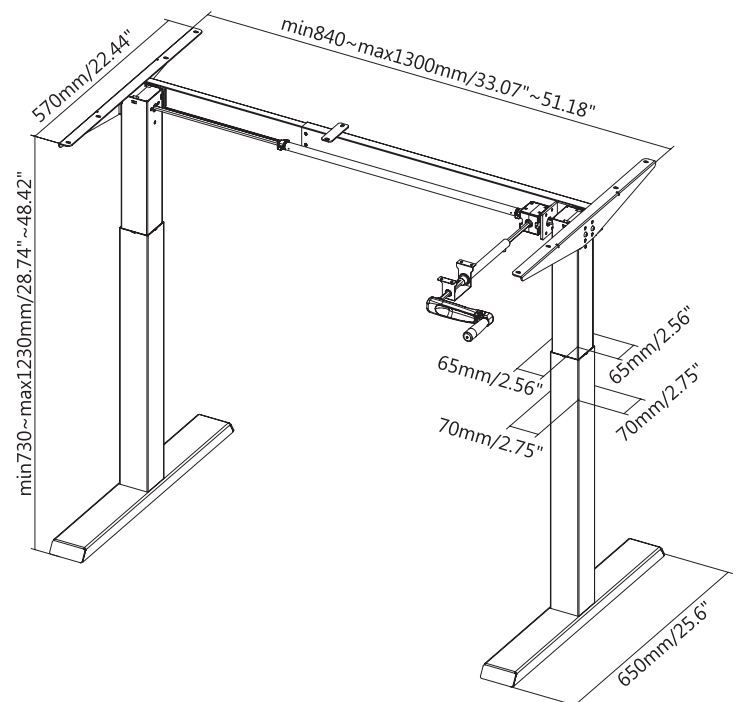
| | |
|-----------------------|-----------------------------|
| Material | Steel, Aluminum, Plastic |
| Tabletop Size | 1000~1600 x 650~850mm |
| Tabletop Thickness | ≥25mm |
| Width Range | 840~1300mm |
| Height Range | 730~1230mm |
| Weight Capacity | 70kg |
| Max. Speed | 10mm/turn |
| Operating Temperature | -5°C~40°C |
| Color | Black |
| Dimensions | 840~1300 x 650 x 730~1230mm |

Package Contents:

- » 1 x Sit-Stand Desk Frame
- » 1 x Screw Pack
- » 1 x User Manual

Package Information:

- » Packing Dimension: mm
- » Packing Weight: kg
- » Carton Dimension: mm
- » Carton Q'ty: pcs
- » Carton Weight: kg



*The specifications and pictures are subject to change without prior notice.
*All trade names referenced are the registered trademarks of their respective owners.



EO0028



Made in China