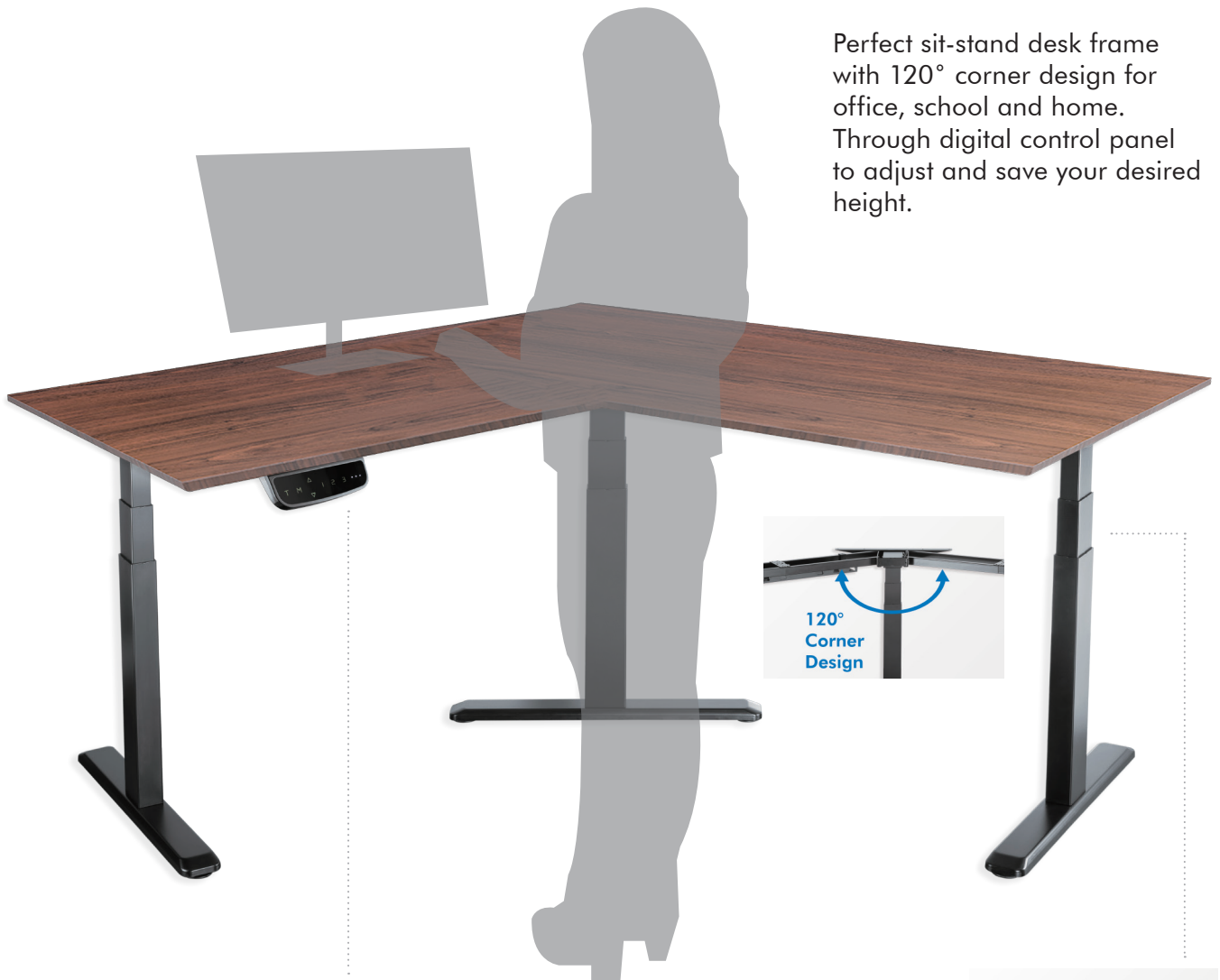


# LogiLink®

## Sit-Stand Desk Frame 120° Corner Design

Art. No.: EO0017

Perfect sit-stand desk frame with 120° corner design for office, school and home. Through digital control panel to adjust and save your desired height.



### Digital LED Memory Controller

3 programmable memory presets save your desired height.



### Height Adjustable

3-stage triple motor electric sit-stand desk frame.



Best Connectivity



RoHS  
compliant



\* The specifications and pictures are subject to change without notice.  
\* All trade names referenced are the registered namework of their respective owners.



EO0017



4 052792 055412

Made in China

# LogiLink®

## Sit-Stand Desk Frame 120° Corner Design

Art. No.: EO0017



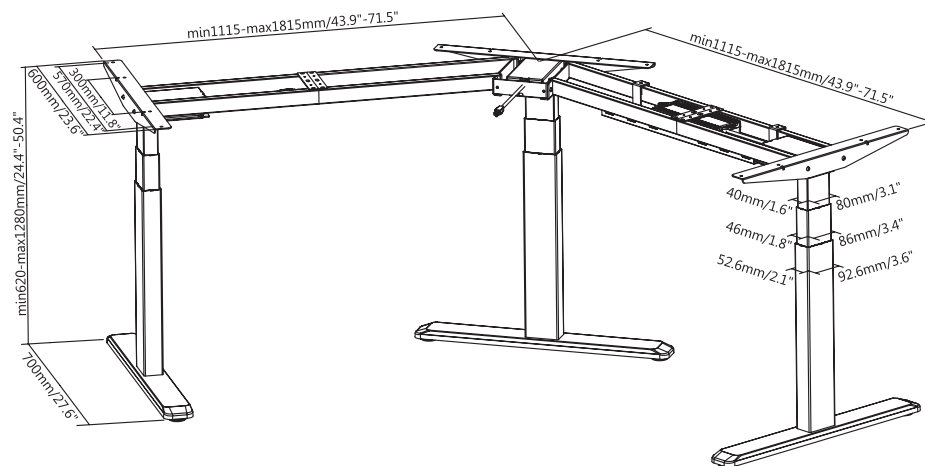
### Features:

- » 3 motors offer heavier lifting ability and increased stability
- » Sit/Stand time reminder for regular movement

### Specification:

Frame Orientation	120° Corner shape
Suggest Tabletop Size	(1200~2000) x (1200~2000)mm
Tabletop Thickness	≥25mm
Material	Plastic, Steel
Color	Black
Weight Capacity	150kg
Height Range	620-1280mm
Width Range	1115-1815mm
Product Size	1115 x 1115 x 620mm

### Technical Drawing:



EO0017



4 052792 055412

Made in China



RoHS  
compliant



\* The specifications and pictures are subject to change without notice.  
\* All trade names referenced are the registered namework of their respective owners.

# LogiLink®



## Sit-Stand Desk Frame 120° Corner Design

Art. No.: EO0017

### Package Content:

- » 1 x Sit-Stand Desk Frame
- » 1 x User Manual

### Package Information:

Packing Dimension	1 of 2: 1218 x 315 x 210mm 2 of 2: 1320 x 285 x 210mm
Packing Weight	1 of 2: 32.9kg 2 of 2: 27.1kg
Carton Dimension	1 of 2: 1218 x 315 x 210mm 2 of 2: 1320 x 285 x 210mm
Carton Q'ty	0.5 pcs
Carton Weight	1 of 2: 32.9kg 2 of 2: 27.1kg

Best Connectivity



RoHS  
compliant



\* The specifications and pictures are subject to change without notice.  
\* All trade names referenced are the registered namework of their respective owners.



EO0017



4 052792 055412

Made in China