

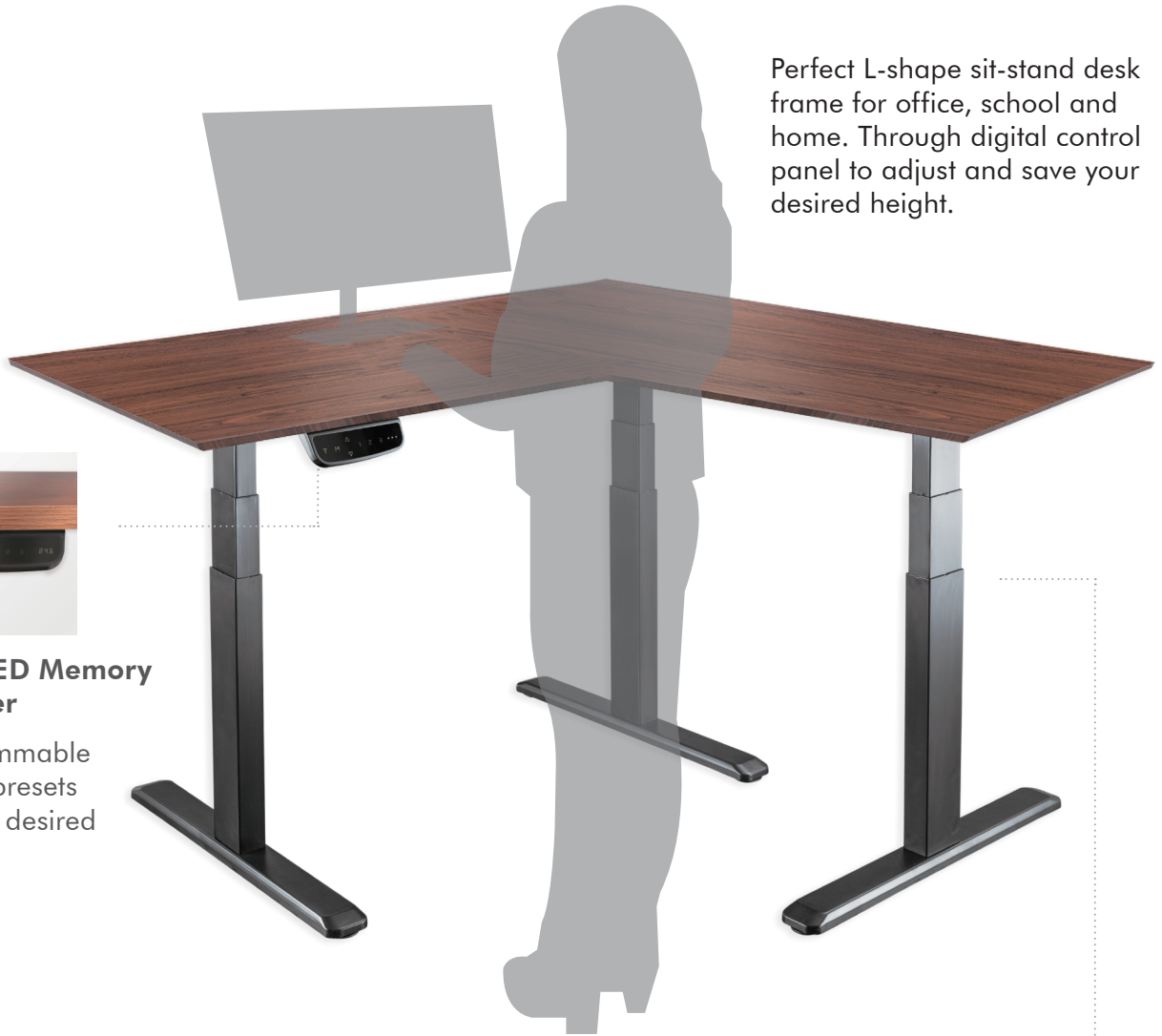
LogiLink®

L-Shape Electric Sit-Stand Desk Frame

Art. No.: EO0016



Perfect L-shape sit-stand desk frame for office, school and home. Through digital control panel to adjust and save your desired height.



Digital LED Memory Controller

3 programmable memory presets save your desired height.



Height Adjustable

3-stage triple motor electric sit-stand desk frame.



EO0016



4 052792 055405

Made in China



RoHS
compliant



* The specifications and pictures are subject to change without notice.

*All trade names referenced are the registered namework of their respective owners.

Best Connectivity

LogiLink®

L-Shape Electric Sit-Stand Desk Frame

Art. No.: EO0016



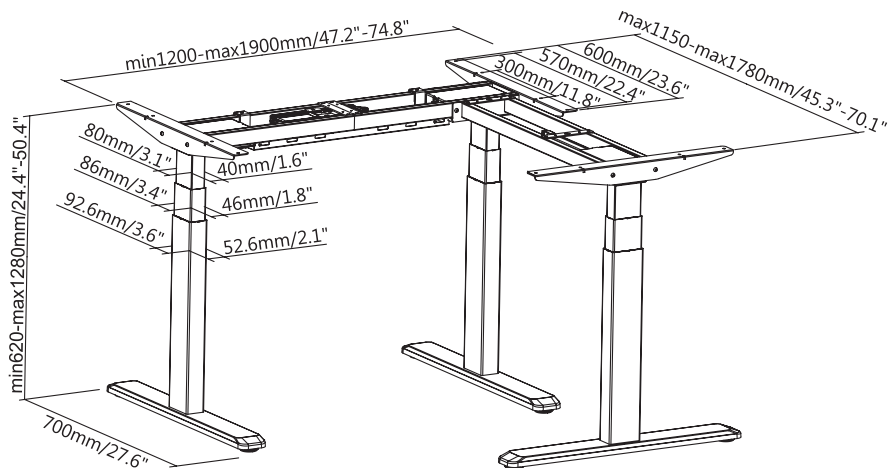
Features:

- » 3 motors offer heavier lifting ability and increased stability
- » Sit/Stand time reminder for regular movement

Specification:

Frame Orientation	90° L-Shape
Suggest Tabletop Size	(1300~2100) x (1250~2000)mm
Tabletop Thickness	≥25mm
Material	Plastic, Steel
Color	Black
Weight Capacity	150kg
Height Range	620-1280mm
Width Range	1200-1900mm, 1150-1780mm
Product Size	1200 x 1150 x 620mm

Technical Drawing:



EO0016



4 052792 055405

Made in China



RoHS
compliant



* The specifications and pictures are subject to change without notice.

* All trade names referenced are the registered trademark of their respective owners.

Best Connectivity

LogiLink®

L-Shape Electric Sit-Stand Desk Frame

Art. No.: EO0016



Package Content:

- » 1 x L-Shape Electric Sit-Stand Desk Frame
- » 1 x User Manual

Package Information:

Packing Dimension	1 of 2: 892 x 270 x 220mm 2 of 2: 1105 x 295 x 220mm
Packing Weight	1 of 2: 37.36kg 2 of 2: 20.48kg
Carton Dimension	1 of 2: 892 x 270 x 220mm 2 of 2: 1105 x 295 x 22mm
Carton Q'ty	0.5 pcs
Carton Weight	1 of 2: 37.36kg 2 of 2: 20.48kg

Best Connectivity



* The specifications and pictures are subject to change without notice.
* All trade names referenced are the registered namework of their respective owners.



EO0016



Made in China