

LogiLink®

Adjustable Under Desk/Wall CPU Mount

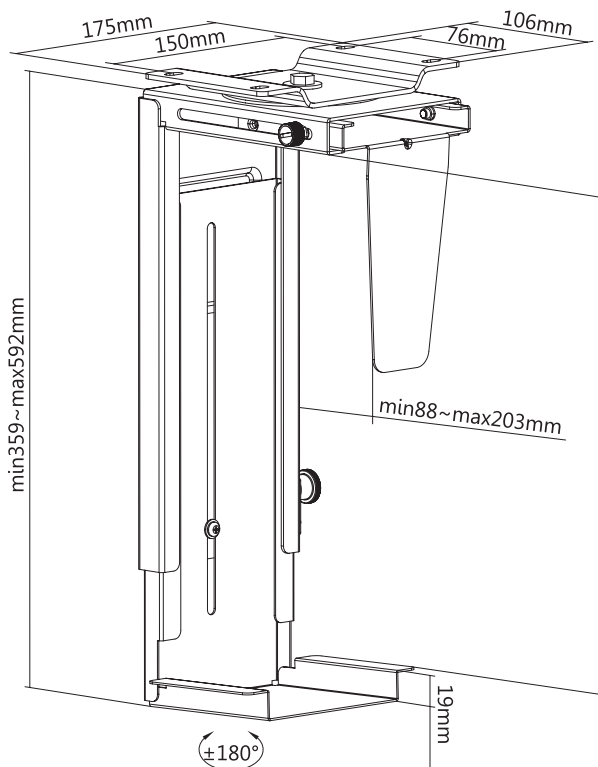
Art. No.: EO0005



Designed to mount the computer under the desk to save more space in the working area.

Features:

- » Fits the CPU up to 10kg
- » Sturdy and simple design
- » Full swivel with $\pm 180^\circ$ for easy access to the ports and cables on the backside



Under Desk
Installation



Wall
Installation

300mm-533mm
Height Adjustable



88mm-203mm
Width Adjustable



EO0005



4 052792 048100

Made in China



* The specifications and pictures are subject to change without notice.
* All trade names referenced are the registered trademark of their respective owners.

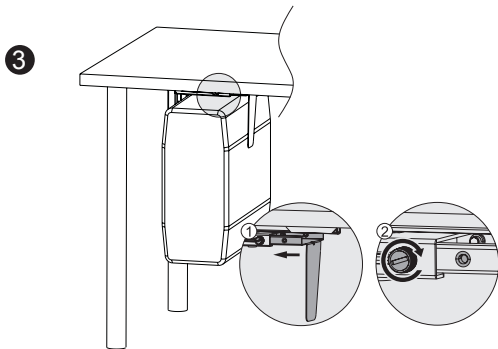
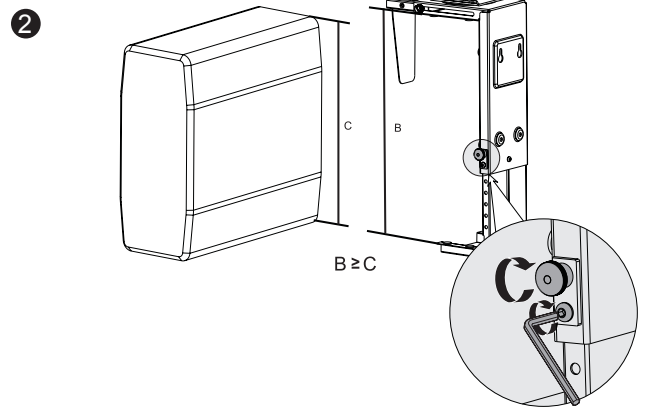
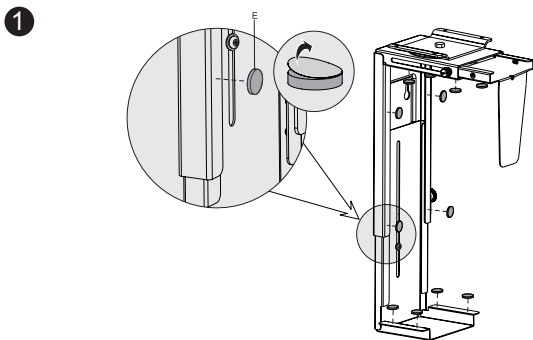
Best Connectivity



LogiLink®

Adjustable Under Desk/Wall CPU Mount

Art. No.: EO0005



Specification:

Rated Load	10kg (22lbs)
Height Adjustable	300-533mm
Width Adjustable	88-203mm
Swivel	±180°

Package Contents:

- » 1 x CPU Mount
- » 1 x Screw Pack
- » 1 x User Manual

Package Information:

- » Packing Dimension: 370 x 180 x 180mm
- » Packing Weight: 3.07kg
- » Carton Dimension: 570 x 390 x 390mm
- » Carton Q'ty: 6pcs
- » Carton Weight: 19kg



* The specifications and pictures are subject to change without notice.
 *All trade names referenced are the registered namework of their respective owners.



EO0005



4 052792 048100

Made in China