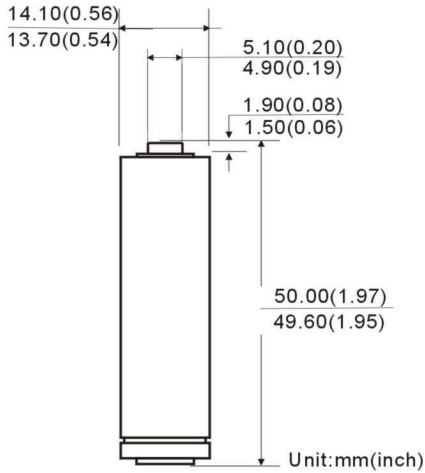


## PLUS ALKALINE BATTERY

Document Title: PB032320

## LR6



**Chemical System :** Alkaline

Zinc-Manganese Dioxide (Zn/MnO<sub>2</sub>)

**Camelion Model :** LR6

**IEC No. :** LR6

**ANSI/NEDA No. :** 15A (AA)

**Average Weight :** 24.0g

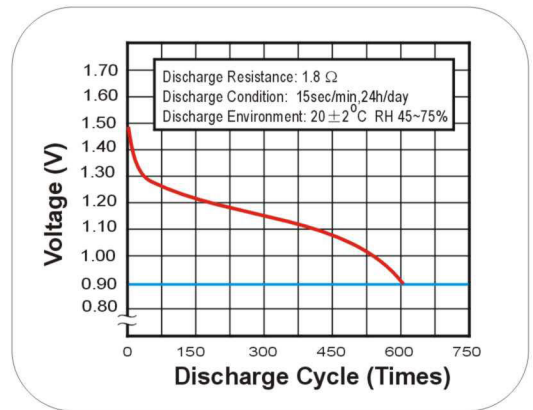
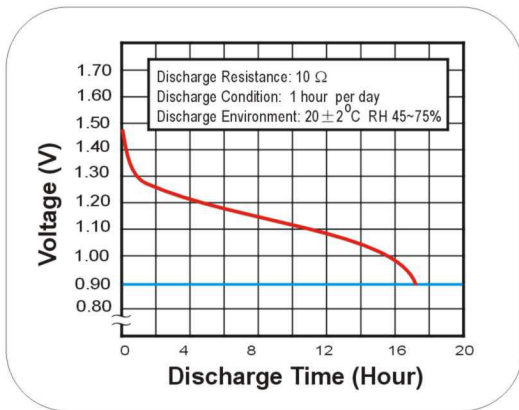
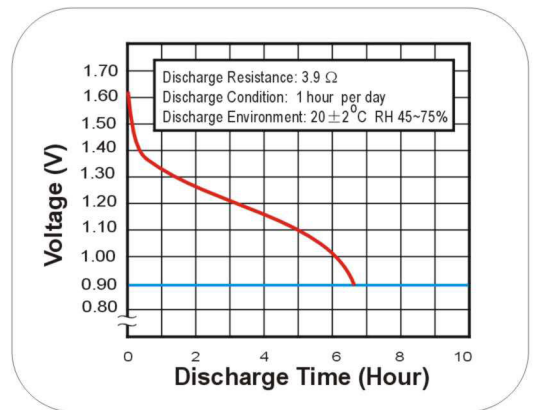
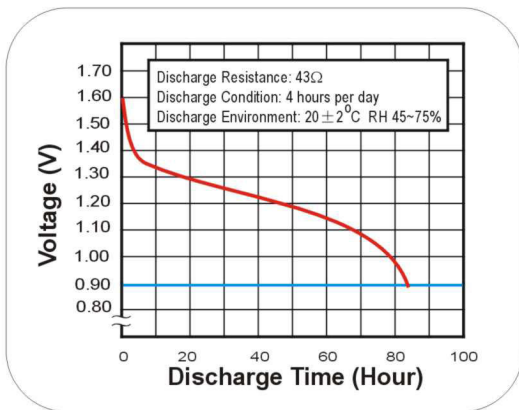
**Dimension (∅ x H) :** 14.1<sup>±0.2</sup> x 49.8<sup>±0.3</sup> mm  
0.56<sup>±0.01</sup> x 1.96<sup>±0.01</sup> inch

**Terminals :** Flat

**Nominal Voltage :** 1.5Volts

**Average Capacity :** 2800 mAh to 0.8 volts  
(20±2°C, Rated capacity at 25 mA continuous drain )

**Jacket :** Aluminum Foil Label



**Notice:**

Environmental elements comply with RoHS requirements. This information is subject to change without prior notice and for reference only. It should not be used as a basis for a product guarantee or warranty. For additional information, please consult your nearest Camelion Sales Office or Distributor or visit our website at: [www.camelionbattery.com](http://www.camelionbattery.com).